

# 1/2/4 CHs keyfob transmitters

WITH HT12E ENCODER

## TX12E-4TC 433

650201367G

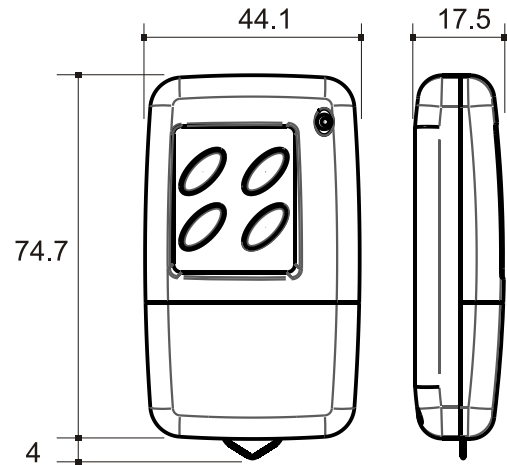
### DESCRIZIONE

Trasmittitore palmare RF con risonatore SAW, a 1-2-4 canali. Ideale per applicazioni ove si richiedano comandi codificati, alta efficienza e bassa emissione di spurie. Conforme alle Normative Europee.

### DESCRIPTION

1-2-4 channels RF transmitters with SAW filter oscillator. Ideal for remote control applications. High efficiency and low spurious emission. In compliance with European Normative.

Per rendere compatibile (a livello di decodifica) il TX12E-2TC-433 (cod. 650201366G) con i precedenti TX-12E-2C SAW 433 (cod. 650200918G) occorre impostare il dip switch interno a 4 vie.



Information subject to change without notice

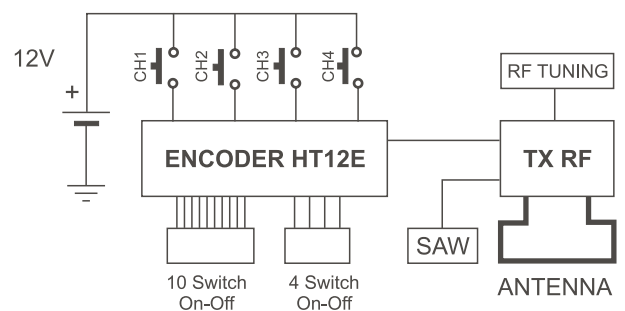
### APPLICATIONS

- ✓ Home security
- ✓ Access control
- ✓ Burglar alarms
- ✓ Car alarms

### PART NUMBER / MODELS

650201365G TX12E-1TC-433  
 650201366G TX12E-2TC-433  
 650201367G TX12E-4TC-433

### BLOCK DIAGRAM



### TECHNICAL SPECIFICATION

Ta = 25 °C

CHARACTERISTICS	
Battery Supply	Alimentazione Batteria
Supply Current	Corrente Assorbita
RF Carrier Frequency	Frequenza Portante RF
Effective Radiated Power	Potenza Irradiata
Encoder Clock Frequency <sup>(1)</sup>	Frequenza Clock Encoder <sup>(1)</sup>
Codes	Codici
Operating Temperature Range	Temperatura di lavoro

MIN	TYP	MAX	UNIT
	12		Vdc
	7		mA
	433.92		MHz
		1	mW
	1400		bit/s
		4096	bit
-10		+55	°C

<sup>(1)</sup> Tolerance: ±15%